

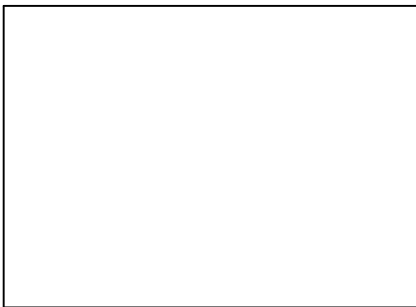


**VELJAN**

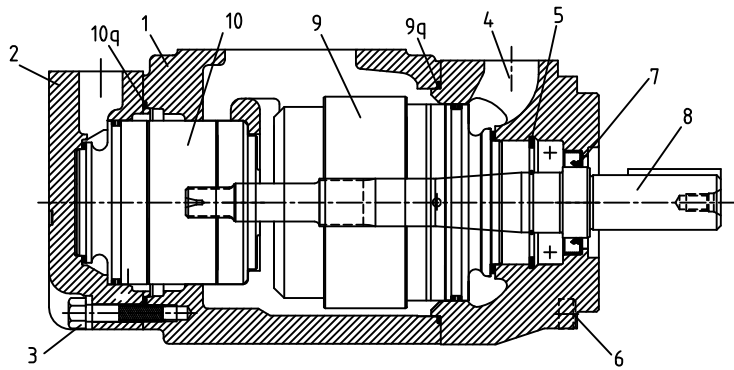
**Service Information SS4-00149**

# **VT7QDC**

## **Double vane pump**

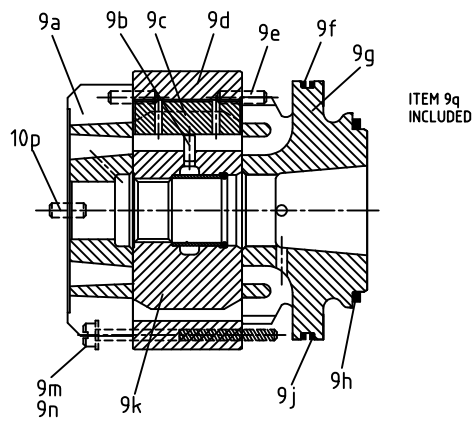
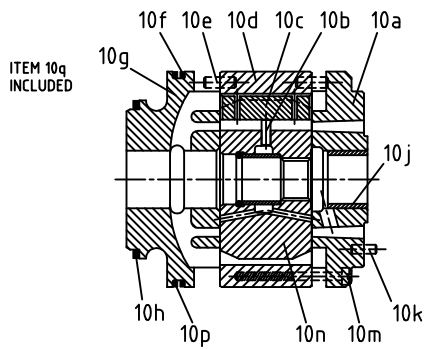
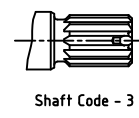
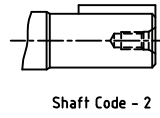
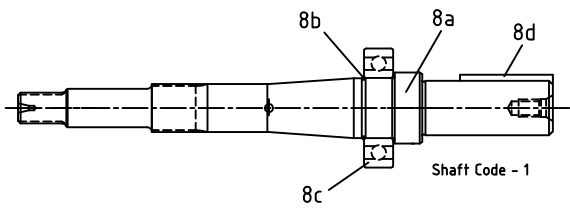


**PHOTO**



Mounting torque

Item pos.	3	7
N-m	80	187
ft-lbs	57	138



Item pos.	Description	Part No.		Qty
		VT7QDC (Standard)	VT7QDC (Bi-dir plates)	
1	Housing (UNC)	C-034-03378	C-034-03378	1
	Housing (Metric)	C-034-03289	C-034-03289	
2	End cap (UNC) (P2=3/4")	C-034-03212	C-034-03212	1
	End cap (Metric) (P2=3/4")	C-034-03214	C-034-03214	
	End cap (UNC) (P2=1")	C-034-03213	C-034-03213	
	End cap (Metric) (P2=1")	C-034-03215	C-034-03215	
	End cap (UNC) (P2=3/4") (IM1099)	C-034-03611	C-034-03611	
	End cap (Metric) (P2=3/4") (IM1099)	C-034-03613	C-034-03613	
	End cap (UNC) (P2=1") (IM1099)	C-034-03612	C-034-03612	
	End cap (Metric) (P2=1") (IM1099)	C-034-03614	C-034-03614	
3	Mounting Screw	V306-40111	V306-40111	7
4	Mounting flange (UNC)	C-034-03379	C-034-03379	1
	Mounting flange (Metric)	C-034-03290	C-034-03290	
5	Retaining ring	V356-32283	V356-32283	1
6	Mounting Screw	V306-40154	V306-40154	4
7	Shaft seal (S1-0.7 bar)	V620-82064	V620-82064	1
	Shaft seal (S4-S5-7 bar)	V620-82072	V620-82072	
8	Shaft and bearing ass'y keyed (Code-1)	C-S14-72559	C-S14-72559	1
	Shaft and bearing ass'y keyed (Code-2)	C-S14-72560	C-S14-72560	
	Shaft and bearing ass'y splined (Code-3)	C-S14-72558	C-S14-72558	
8a	Shaft (Keyed) (Code-1)	C-034-03291	C-034-03291	1
	Shaft (Keyed) (Code-2)	C-034-03585	C-034-03585	
	Shaft (Splined) (Code-3)	C-034-03584	C-034-03584	
8b	Round section ring	V034-70853	V034-70853	1
8c	Ball bearing	V230-00207	V230-00207	1
8d	Key (Code -1)	V034-46754	V034-46754	1
	Key (Code -2)	V034-70330	V034-70330	
9	Cartridge assembly *14 C.W. (P1)	C-S14-72569	C-S14-72176	1
	Cartridge assembly *14 C.C.W. (P1)	C-S14-72570	C-S14-72177	
	Cartridge assembly *17 C.W. (P1)	C-S14-72571	C-S14-72178	
	Cartridge assembly *17 C.C.W. (P1)	C-S14-72572	C-S14-72179	
	Cartridge assembly *20 C.W. (P1)	C-S14-72573	C-S14-72180	
	Cartridge assembly *20 C.C.W. (P1)	C-S14-72574	C-S14-72181	
	Cartridge assembly *22 C.W. (P1)	C-S14-72575	C-S14-72554	
	Cartridge assembly *22 C.C.W. (P1)	C-S14-72576	C-S14-72555	
	Cartridge assembly *24 C.W. (P1)	C-S14-72577	C-S14-72182	
	Cartridge assembly *24 C.C.W. (P1)	C-S14-72578	C-S14-72183	
	Cartridge assembly *28 C.W. (P1)	C-S14-72579	C-S14-72184	
	Cartridge assembly *28 C.C.W. (P1)	C-S14-72580	C-S14-72185	
	Cartridge assembly *31 C.W. (P1)	C-S14-72581	C-S14-72186	
	Cartridge assembly *31 C.C.W. (P1)	C-S14-72582	C-S14-72187	
	Cartridge assembly *35 C.W. (P1)	C-S14-72583	C-S14-72188	
	Cartridge assembly *35 C.C.W. (P1)	C-S14-72584	C-S14-72189	
	Cartridge assembly *38 C.W. (P1)	C-S14-72585	C-S14-72190	
	Cartridge assembly *38 C.C.W. (P1)	C-S14-72586	C-S14-72191	
	Cartridge assembly *42 C.W. (P1)	C-S14-72587	C-S14-72192	
	Cartridge assembly *42 C.C.W. (P1)	C-S14-72588	C-S14-72193	
Cartridge assembly *45 C.W. (P1)	C-S14-72589	C-S14-72194		
Cartridge assembly *45 C.C.W. (P1)	C-S14-72590	C-S14-72195		
Cartridge assembly *50 C.W. (P1)	C-S14-72591	C-S14-72196		
Cartridge assembly *50 C.C.W. (P1)	C-S14-72592	C-S14-72197		
9a	Port plate - rear C.W.	H-034-67112		1
	Port plate - rear C.C.W.	H-034-67114		
	Port plate - rear Bi-dir		H-034-67478	
9b	Pin vane holdout	V034-59098	V034-59098	12
9c	Vane	H-034-67453	H-034-67453	12
9d	Cam ring - 014	H-034-67469	H-034-67469	1
	Cam ring - 017	H-034-67470	H-034-67470	
	Cam ring - 020	H-034-67159	H-034-67159	



# MODEL CODE

Series **VT7QDC - \*35 - \*10 - 1 R 00 - A 1 00 - \***

Series

Cam ring	Displacement in <sup>3</sup> /rev (cm <sup>3</sup> / rev)	Cam ring	Displacement in <sup>3</sup> /rev (cm <sup>3</sup> /rev)
014/B14 =	2.68 ( 4.3.90 )	031/B31 =	6.05 ( 99.10 )
017/B17 =	3.36 ( 55.00 )	035/B35 =	6.92 ( 113.40 )
020/B20 =	4.03 ( 66.00 )	038/B38 =	7.36 ( 120.60 )
022/B22 =	4.29 ( 70.30 )	042/B42 =	8.39 ( 137.50 )
024/B24 =	4.95 ( 81.10 )	045/B45 =	8.89 ( 145.70 )
028/B28 =	5.49 ( 89.90 )	050/B50 =	9.64 ( 158.00 )

Cam ring	Displacement in <sup>3</sup> /rev (cm <sup>3</sup> /rev)	Cam ring	Displacement in <sup>3</sup> /rev (cm <sup>3</sup> /rev)
003/B03/Y03 =	0.66 ( 10.80 )	015/B15/Y15 =	3.08 ( 50.50 )
005/B05/Y05 =	1.05 ( 17.20 )	017/B17/Y17 =	3.56 ( 58.30 )
006/B06/Y06 =	1.30 ( 21.30 )	020/B20/Y20 =	3.89 ( 63.80 )
008/B08/Y08 =	1.61 ( 26.40 )	022/B22/Y22 =	4.29 ( 70.30 )
010/B10/Y10 =	2.08 ( 34.10 )	025/B25/Y25 =	4.84 ( 79.30 )
012/B12/Y12 =	2.26 ( 37.10 )	028/B28/Y28 =	5.42 ( 88.80 )
014/B14/Y14 =	2.81 ( 46.00 )	031/B31/Y31 =	6.10 ( 100.00 )

Select 'B\*\*' for Mobile and Bi-directional  
Select 'Y\*\*' for Bi-directional cold start

Type of Shaft

- 1 = Keyed (SAE -C)
- 2 = Keyed ( SAE CC)
- 3 = Splined (SAE -C)

Direction of rotation

- R = Clockwise
- L = Counter - clockwise

Modification

Mounting W/connection variables

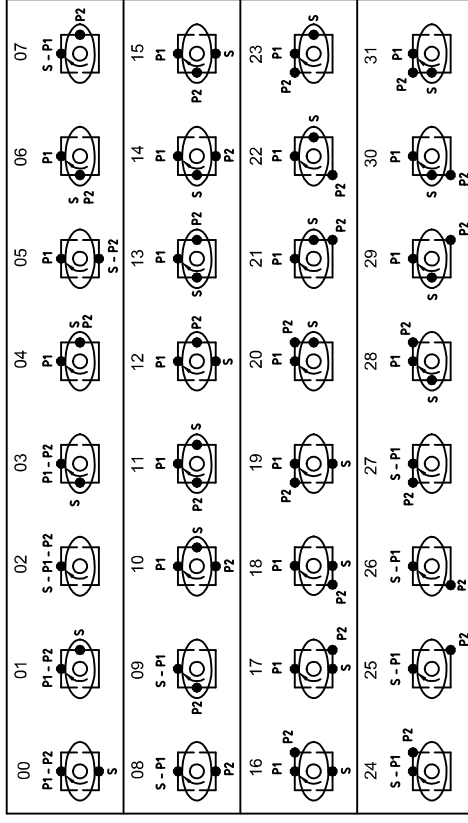
UNC	METRIC
00	01
M0	M1
P2	1"
	3/4"

Seal class

- 1 = S1 - BUNA N
- 4 = S4 - EPDM
- 5 = S5 - VITON

Design letter

Porting combination : (00 = Standard)



Print	_____
Replace	_____
Revision	_____